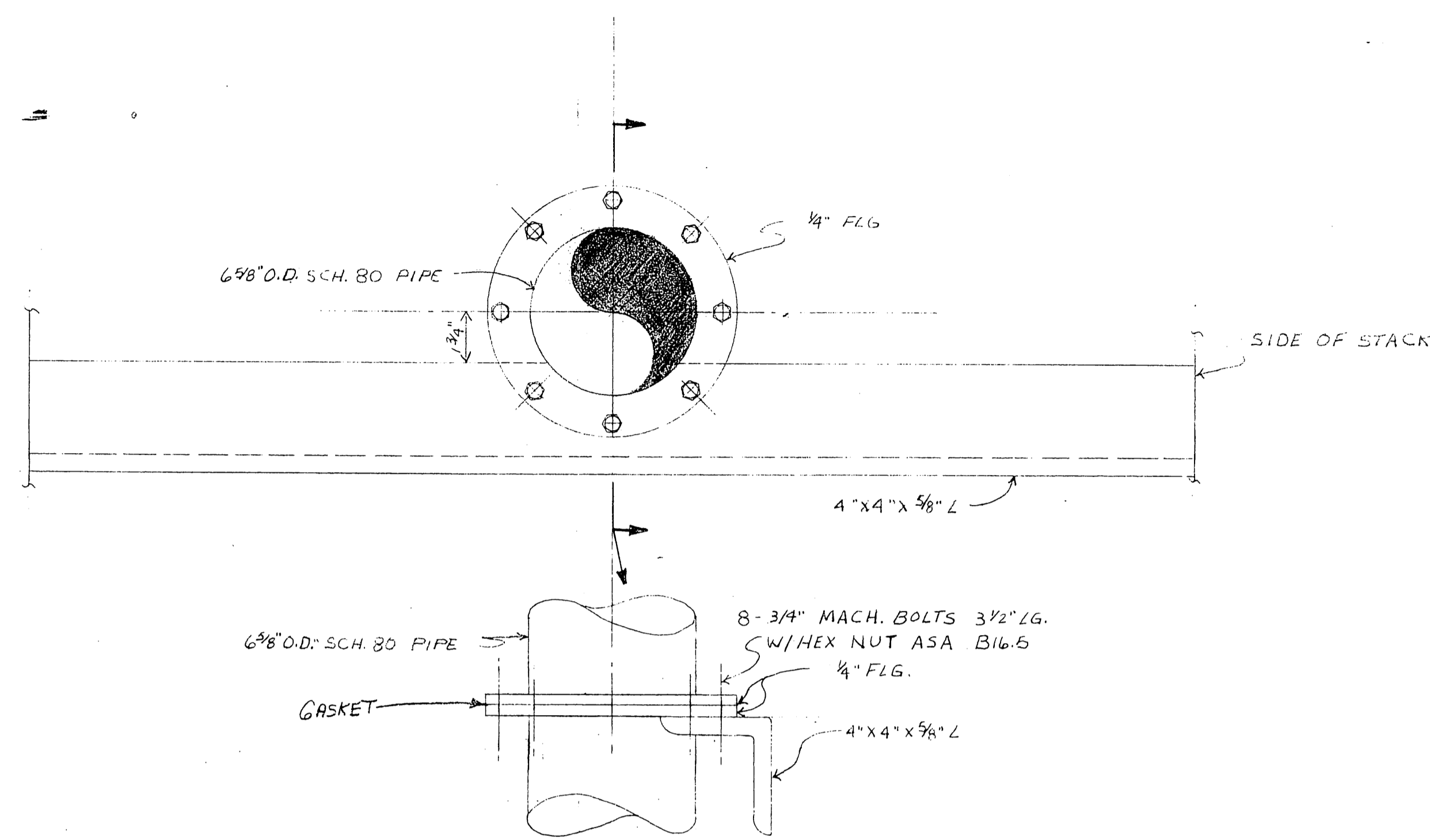
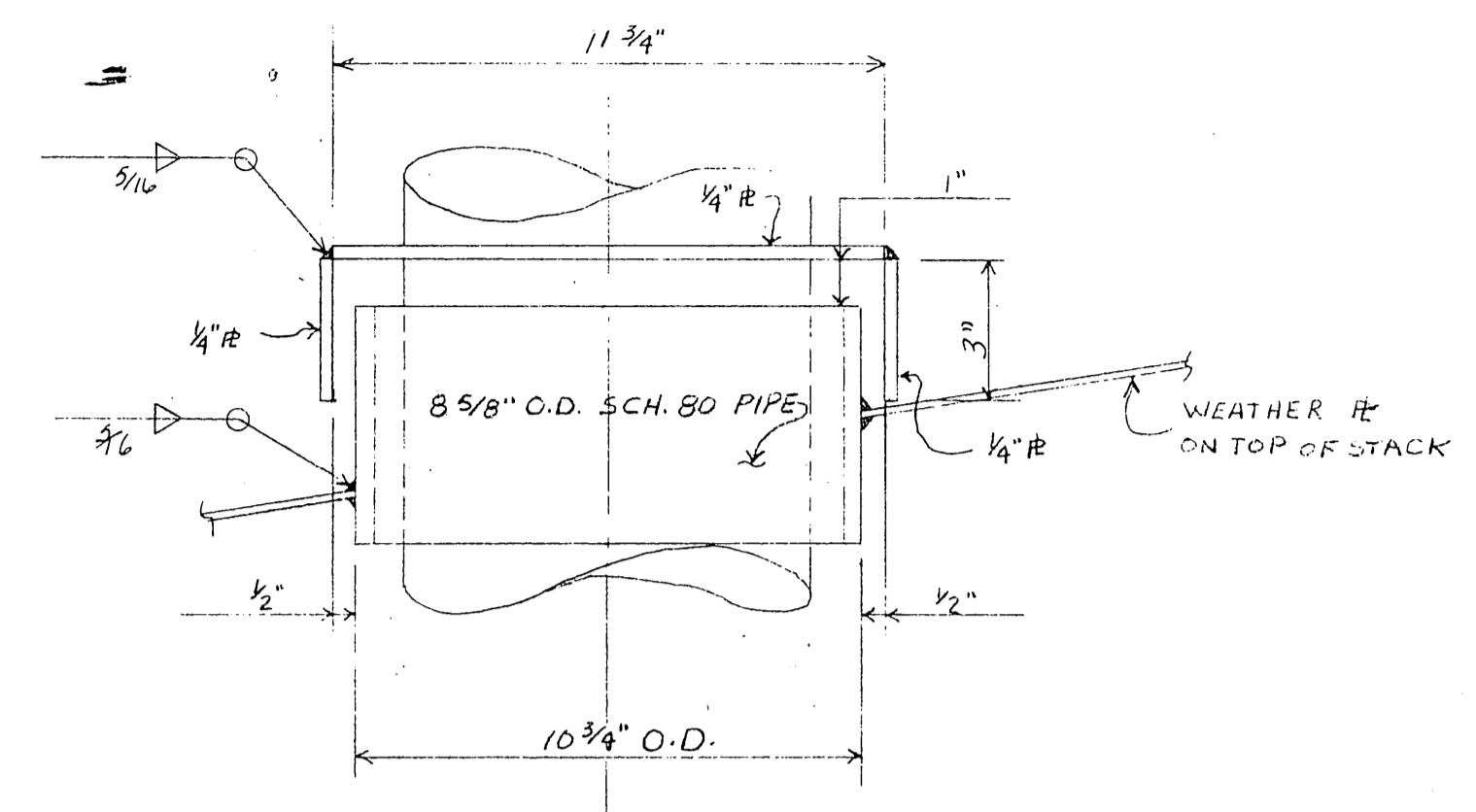


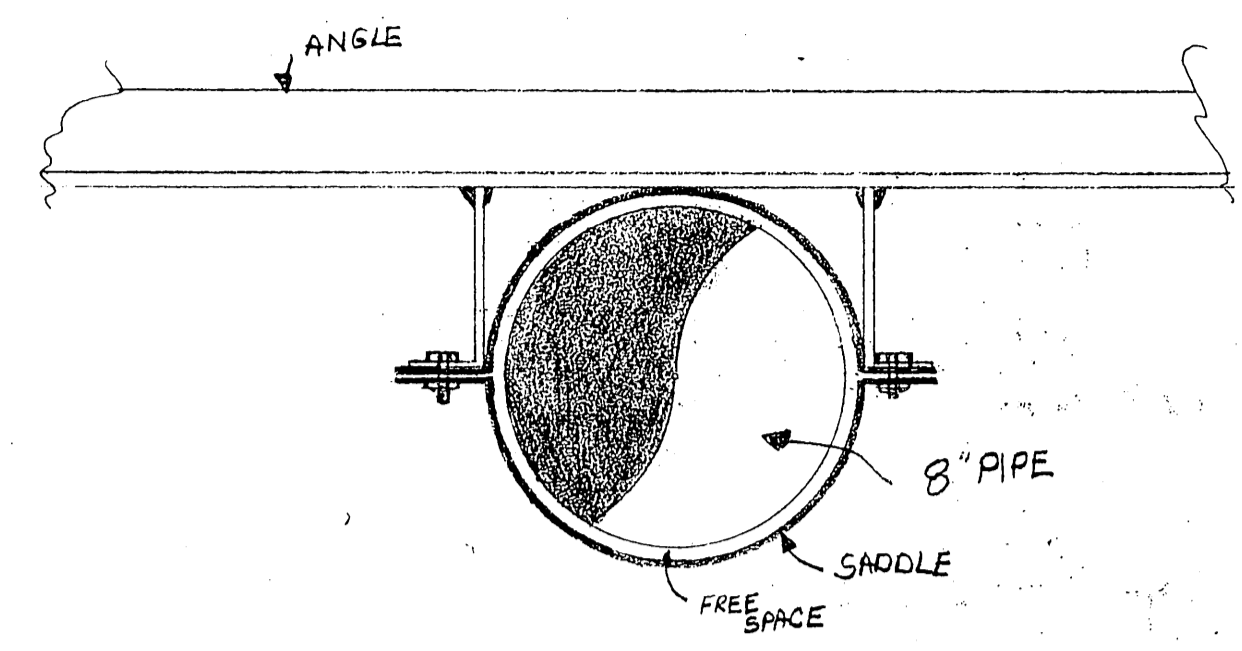
REV. MK.	DESCRIPTION	BY	DATE	APPROV.



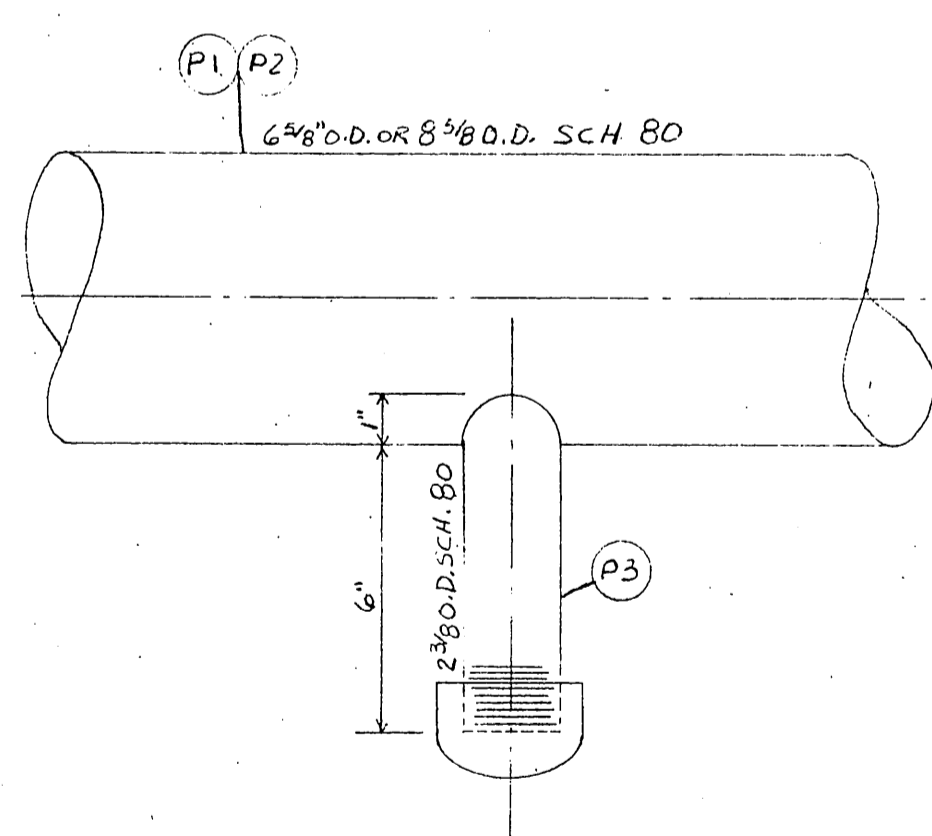
DETAIL - B
TYP. EXHAUST SUPPORTOR
SCALE 3"=1'-0"



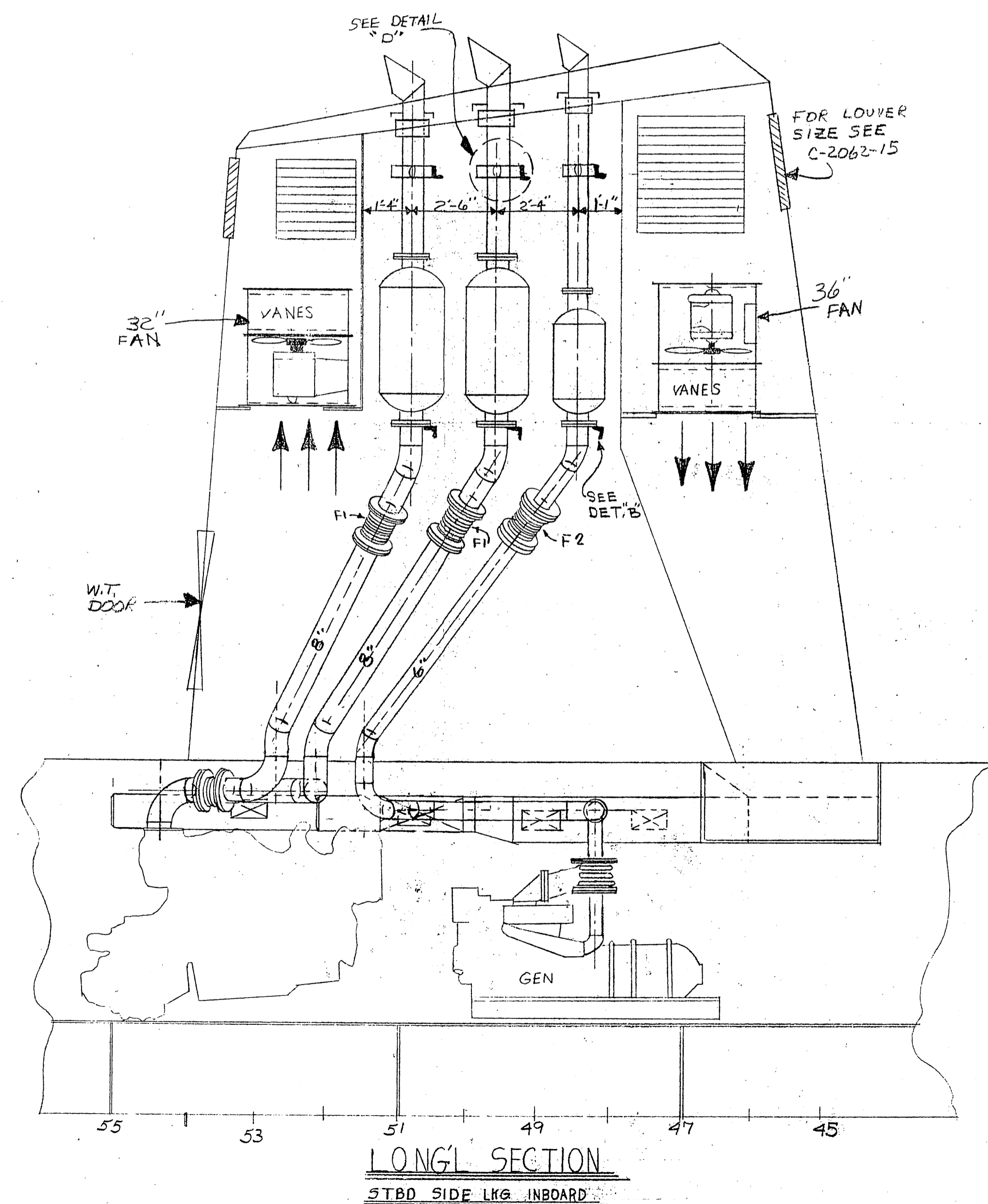
DETAIL C
SCALE 3"=1'-0"



DETAIL "D"
SCALE: 3"=1'-0"



DETAIL - A
TYP. WTR. TRAP FOR 8" & 6"
SCALE 3"=1'-0"



LONG L SECTION
STBD SIDE LKG INBOARD

BILL OF MATERIALS				
PCT. NO.	QTY.	DESCRIPTION	MATERIAL	REMARKS
P-1	FT.	8" SCH. 20 BLK. STL ASTM A234 PIPE	STEEL	ANSI B16.28
P-2	63 FT.	6" SCH. 40 BLK. STL ASTM A234 PIPE	STEEL	ANSI B16.28
P-3	42 IN.	2" SCH. 40 BLK. STL ASTM A234 PIPE	STEEL	ANSI B16.28
P-4	4	8" SLK. STL. 90° ELBOW	STEEL	ANSI B16.28
P-5	5	8" 45° ELBOW MITER TO FIT	"	"
P-6	7	6" 90° ELBOW	"	"
P-7	11	6" 45° ELBOW MITER TO FIT	"	"
P-8	6	4" 90° ELBOWS	"	"
P-9	20 FT.	4" ASTM A234 PIPE	"	"
F-1	6	8" EXPANSION JOINT 3150 FS 150 PSI ASA B0A OREG. 11 1/4" LG.	"	"
F-2	3	6" EXPANSION JOINT 3150 FS 150 PSI ASA B0A OREG. 10 1/4" LG.	"	"
F-3	6	4" EXPANSION JOINT 3150 FS 150 PSI ASA OREG. 10 1/4" LG.	"	"
FL-1	18	8" FLANGES 150# ASA CRANE OR EQ.	"	ANSI B16.5
FL-2	12	6" FLANGES 150# ASA CRANE OR EQ.	"	ANSI B16.5
FL-3	12	4" FLANGES 150# ASA CRANE OR EQ.	"	ANSI B16.5
4B	3/4"	BOLTS W/ NUT 3 1/2" LONG	"	ANSI B16.25
3	8"	MSA-1 MAXIM MUFFLER W/ FLANGES & SPARK ARRESTOR	"	"
3	6"	MSA-1 MAXIM MUFFLER W/ FLANGES & SPARK ARRESTOR	"	"

Check Print
PRELIMINARY
NOT FOR CONSTRUCTION

DESIGN ASSOCIATES, INC.
NAVAL ARCHITECTS MARINE ENGINEERS
NEW ORLEANS, LA.

TIDE WATER

143'X36'X10' SEISMIC VESSEL

DETAILS OF EXHAUST PIPING

Drawn: BA/ST	Date: 6-11-81	Checked:
Traced:	Date:	Checked:
Aprvd:	Date:	Scale: 3"=1'-0"
Sheet 2 of 2	Drawing No. C-2062-32	Revision Mark